



NEW METHOD STEEL STAMPS, INC.

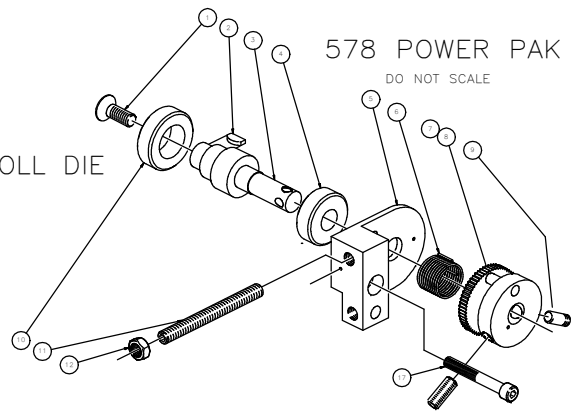
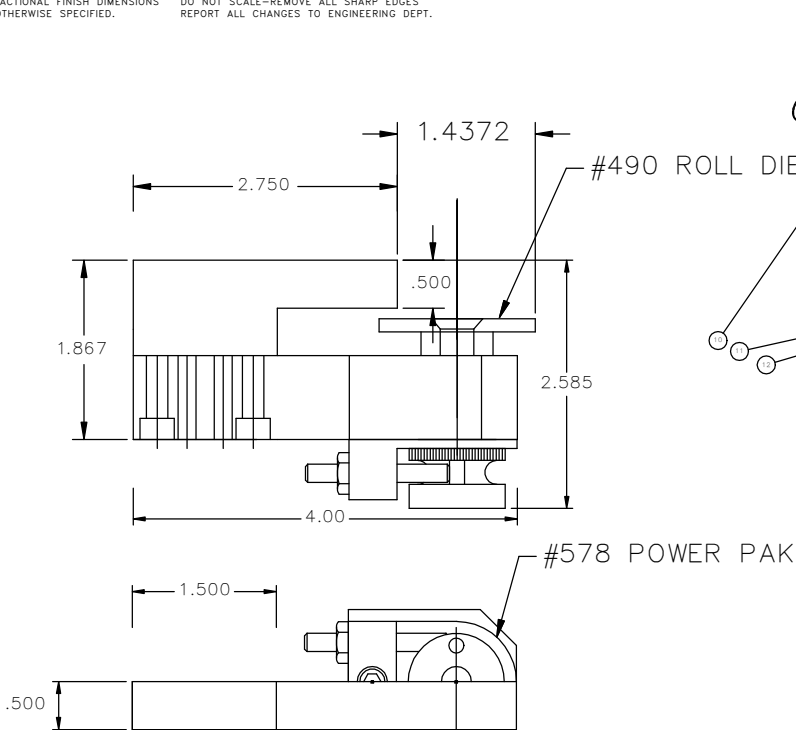
(586) 293-0200 * (800) 582-0199 - Fax (586) 296-1900
 Email: info@newmethod.com -www.newmethod.com

17801 Helro Drive, P.O BOX 338
 Fraser, Michigan 48026 - USA

8	ALMS-875/196
USED ON	
SWISS TYPE	
CNC TURNING CENTER	
FOR MARKING	
DIAMETERS	
-	
-	
-	

LIMITS ON ALL FRACTIONAL FINISH DIMENSIONS
 ± .010 UNLESS OTHERWISE SPECIFIED.

DO NOT SCALE-REMOVE ALL SHARP EDGES
 REPORT ALL CHANGES TO ENGINEERING DEPT.



ITEM#	QTY	DESCRIPTION
17	1229	1 SOCKET HEAD CAP SCREW
12	1250	1 JAM NUT
11	1099	1 SET SCREW
10	271-8	1 BUSHING
9	1015	2 SET SCREW
8	1097	1 STOP PIN
7	1086	1 CAP
6	1104	1 SPRING, ROLL RETURN
5	1461	1 BLOCK & ASSY PLATE
4	272-C	1 BUSHING
3	1108	1 AXLE
2	489	1 KEY
1	1036	1 FLAT HEAD SCREW

				NEW METHOD STEEL STAMPS, INC.		NAME	
				FRASER MICHIGAN		ROLL ATTACH	
				MATERIAL: MFGR.'S STD.		PART NO.	
				SCALE: FULL		951/578-SWTYPB	
				DATE: 10/27/98			
LET	CHANGE	DATE	CHECKED	J.A.G.	DATE	10/27/98	