

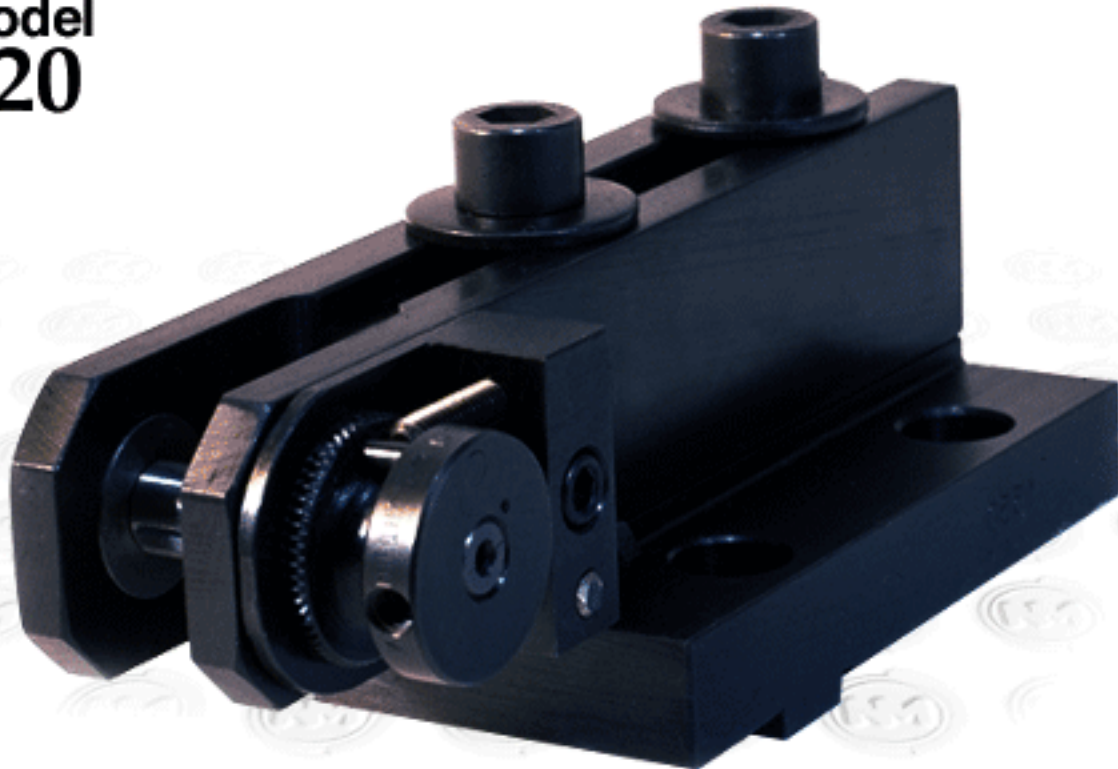


# NEW METHOD STEEL STAMPS, INC.

(586) 293-0200 \* (800) 582-0199 - Fax (586) 296-1900  
Email: [info@newmethod.com](mailto:info@newmethod.com) - [www.newmethod.com](http://www.newmethod.com)

17801 Helro Drive, P.O BOX 338  
Fraser, Michigan 48026 - USA

**model  
620**





# NEW METHOD STEEL STAMPS, INC.

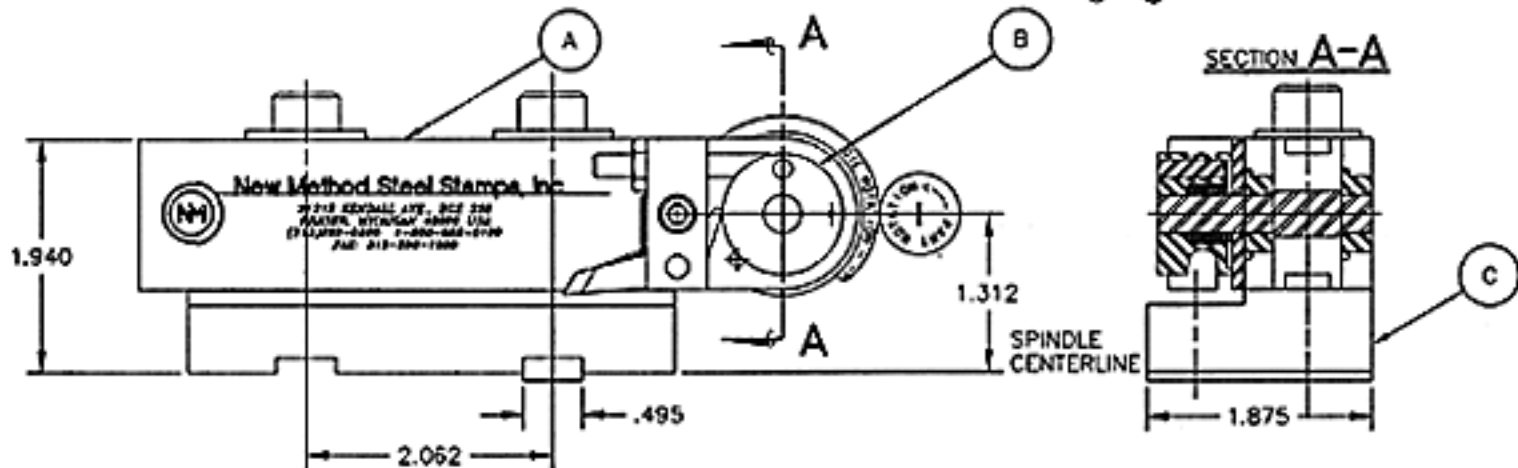
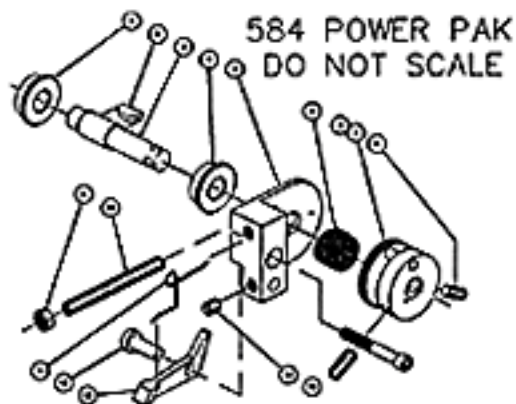
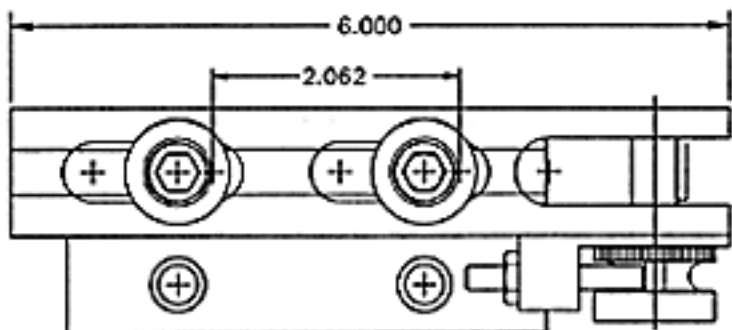
(586) 293-0200 \* (800) 582-0199 - Fax (586) 296-1900

Email: [info@newmethod.com](mailto:info@newmethod.com) - [www.newmethod.com](http://www.newmethod.com)

17801 Helro Drive, P.O. BOX 338

Fraser, Michigan 48026 - USA

## 620



- A: 1544 SHANK
- B: 584 POWER PAK
- C: 1550 ADAPTER

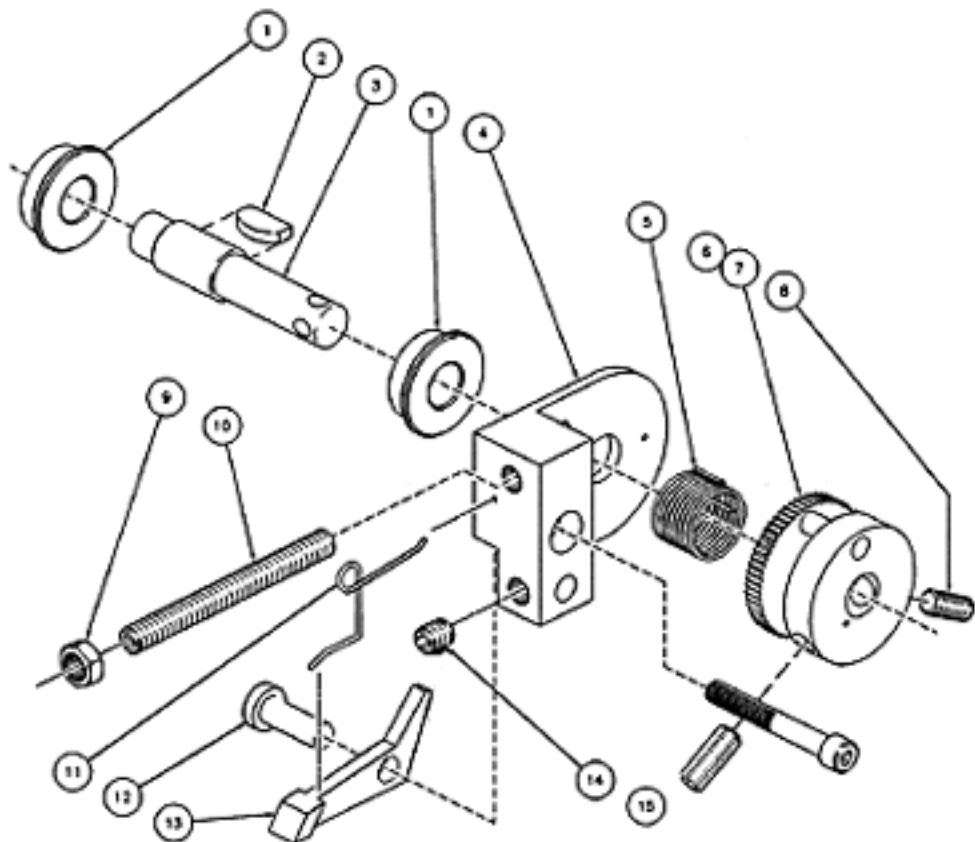


# NEW METHOD STEEL STAMPS, INC.

(586) 293-0200 \* (800) 582-0199 - Fax (586) 296-1900  
Email: info@newmethod.com - www.newmethod.com

17801 Helro Drive, P.O. BOX 338  
Fraser, Michigan 48026 - USA

## 584 POWER PAK



USED ON

ALL 1544

BASED

SHANKS

523

529

15	1229	1	SOCKET HEAD CAP SCREW
14	1015	1	SET SCREW
13	1100	1	RATCHET PAWL
12	1462	1	AXLE, RATCHET PAWL
11	1456	1	SPRING, RATCHET PAWL
10	1099	1	SET SCREW
9	1250	1	JAM NUT
8	1015	2	SET SCREW
7	1097	1	STOP PIN
6	1086	1	CAP
5	1104	1	SPRING, ROLL RETURN
4	1461	1	BLOCK & ASSY PLATE
3	1087	1	AXLE
2	1084	1	WOODRUFF KEY
1	1089	2	BUSHING
ITEM#	CAT. #	QTY	DESCRIPTION