



# NEW METHOD STEEL STAMPS, INC.

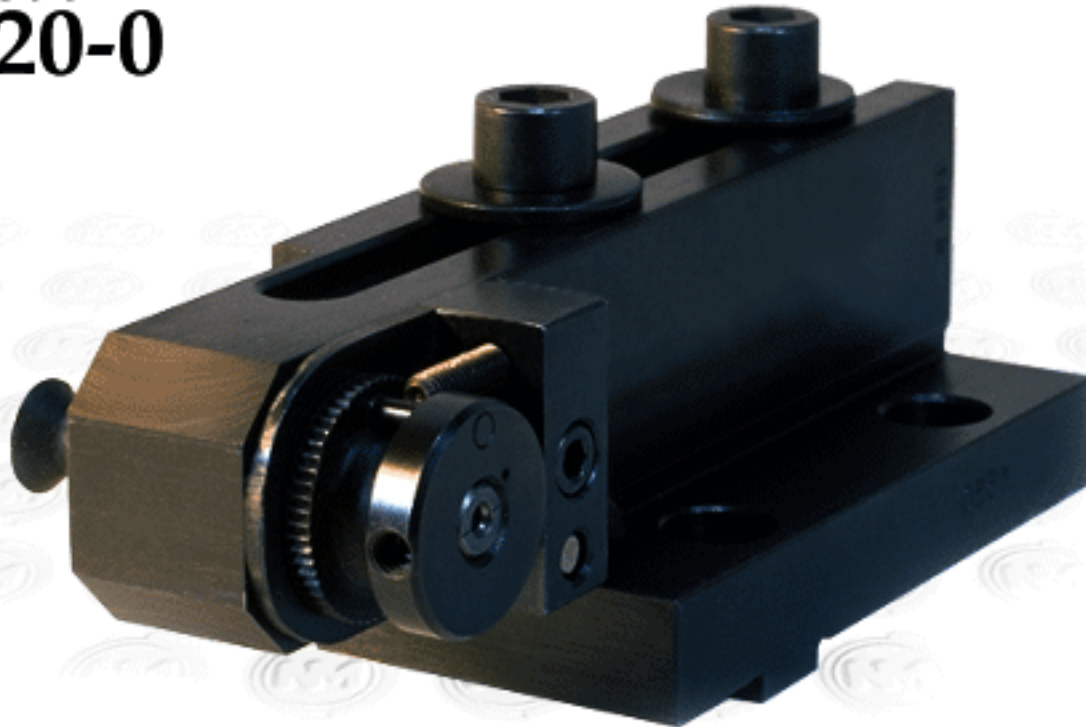
(586) 293-0200 \* (800) 582-0199 - Fax (586) 296-1900

Email: [info@newmethod.com](mailto:info@newmethod.com) - [www.newmethod.com](http://www.newmethod.com)

17801 Helro Drive, P.O BOX 338

Fraser, Michigan 48026 - USA

model  
**620-0**





# NEW METHOD STEEL STAMPS, INC.

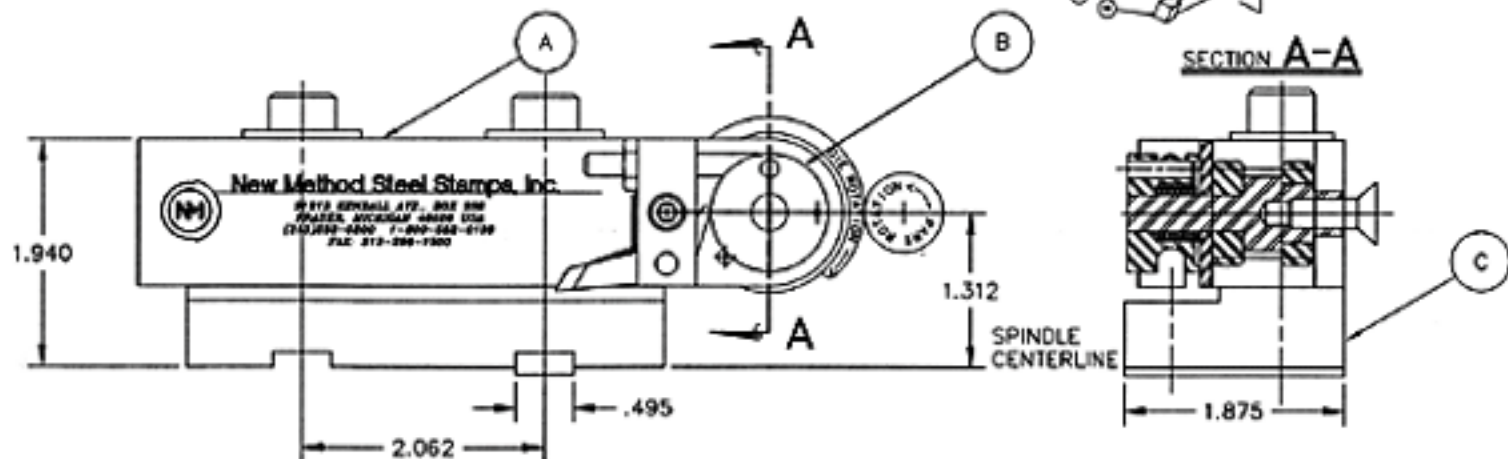
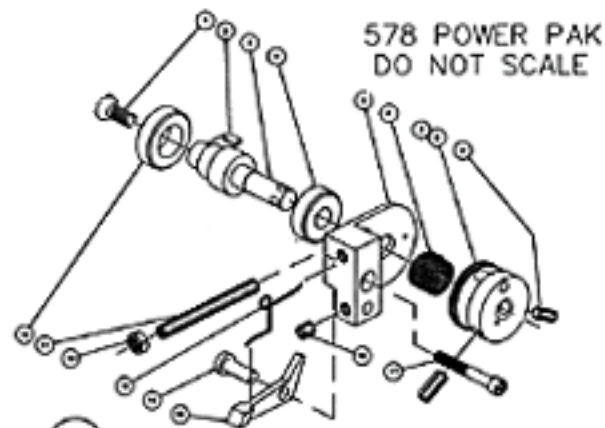
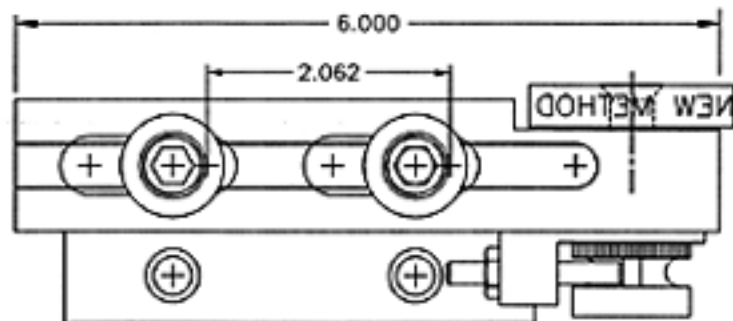
(586) 293-0200 \* (800) 582-0199 - Fax (586) 296-1900

Email: [info@newmethod.com](mailto:info@newmethod.com) - [www.newmethod.com](http://www.newmethod.com)

17801 Helro Drive, P.O. BOX 338

Fraser, Michigan 48026 - USA

## 620-0



- A: 1949 SHANK
- B: 578 POWER PAK
- C: 1550 ADAPTER

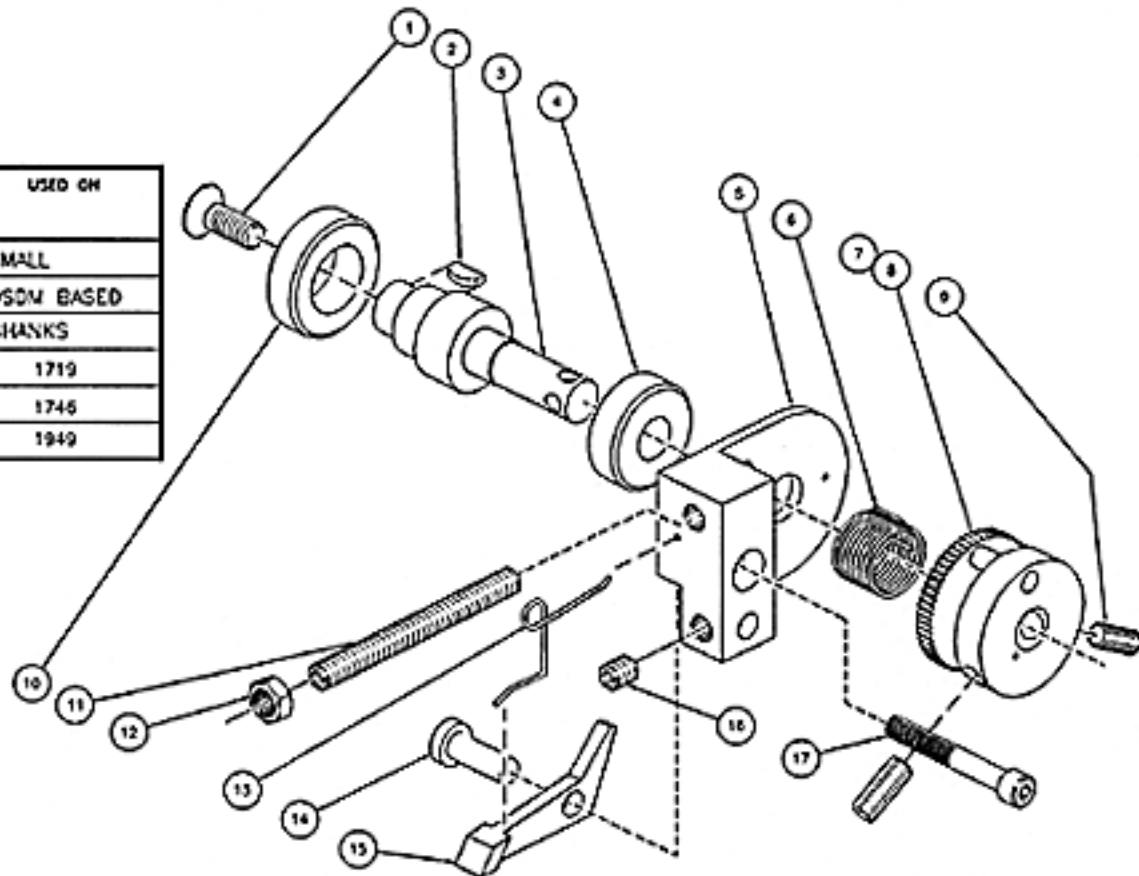
# NEW METHOD STEEL STAMPS, INC.

(586) 293-0200 \* (800) 582-0199 - Fax (586) 296-1900  
 Email: info@newmethod.com - www.newmethod.com

17801 Helro Drive, P.O BOX 338  
 Fraser, Michigan 48026 - USA

## 578 POWER PAK

| USED ON    |
|------------|
| SMALL      |
| OSDM BASED |
| SHANKS     |
| 1719       |
| 1746       |
| 1949       |



|              |        |     |                       |
|--------------|--------|-----|-----------------------|
| 17           | 1229   | 1   | SOCKET HEAD CAP SCREW |
| 16           | 1013   | 1   | SET SCREW             |
| 15           | 1100   | 1   | RATCHET PAWL          |
| 14           | 1462   | 1   | ANGLE RATCHET PAWL    |
| 13           | 1456   | 1   | SPRING RATCHET PAWL   |
| 12           | 1250   | 1   | JAM NUT               |
| 11           | 1009   | 1   | SET SCREW             |
| 10           | 1271-8 | 1   | BUSHING               |
| 9            | 1013   | 2   | SET SCREW             |
| 8            | 1007   | 1   | STOP PIN              |
| 7            | 1006   | 1   | CAP                   |
| 6            | 1124   | 1   | SPRING ROLL RETURN    |
| 5            | 1461   | 1   | BLOCK & ASSY PLATE    |
| 4            | 1272-E | 1   | BUSHING               |
| 3            | 1108   | 1   | AXLE                  |
| 2            | 499    | 1   | KEY                   |
| 1            | 1036   | 1   | FLAT HEAD SCREW       |
| TEMP. CAT. # |        | QTY | DESCRIPTION           |