



# NEW METHOD STEEL STAMPS, INC.

(586) 293-0200 \* (800) 582-0199 - Fax (586) 296-1900

17801 Helro Drive, P.O BOX 338

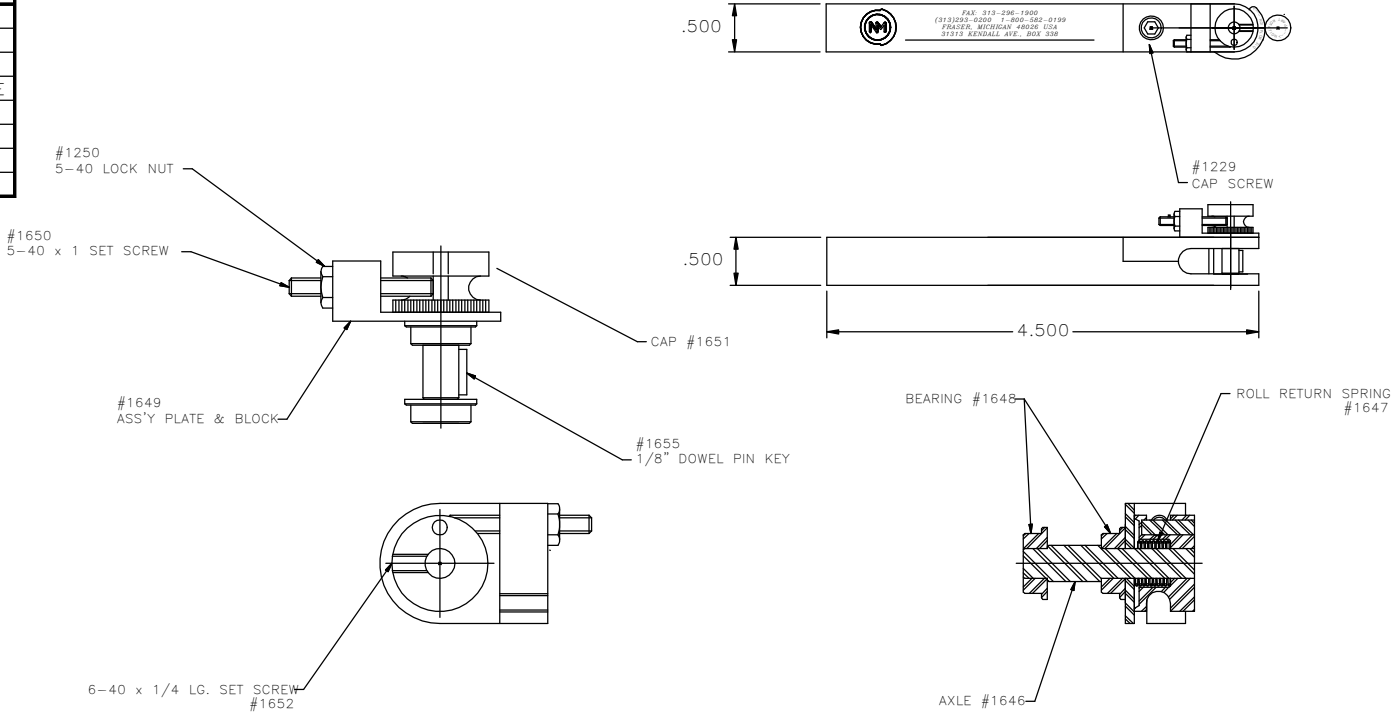
Email: info@newmethod.com - www.newmethod.com

Fraser, Michigan 48026 - USA

8-0819
USED ON
TORNOS
HANWHA
STROHM
SWISS TYPE
MACHINES
CITIZEN
-
-

LIMITS ON ALL FRACTIONAL FINISH DIMENSIONS  
± .010 UNLESS OTHERWISE SPECIFIED.

DO NOT SCALE—REMOVE ALL SHARP EDGES  
REPORT ALL CHANGES TO ENGINEERING DEPT.



**\*\*NOTE:**  
600 POWER PAK  
SHOWN 2.5x SIZE  
C= CLOCKWISE  
ROTATION OF PART

				NEW METHOD STEEL STAMPS, INC.		NAME	
				FRASER MICHIGAN		ROLL MARKING ATTACHMENT	
LET		CHANGE		DATE		PART NO.	
DRAWN		SCALE		MAT'L.		ROCKWELL	
C.D.L.B.		FULL		-		C SCALE	
CHECKED		DATE		HEAT TREAT		BLACK OXIDE	
J.A.G. III		03/2/00				618C -B	