



NEW METHOD STEEL STAMPS, INC.

(586) 293-0200 * (800) 582-0199 - Fax (586) 296-1900

17801 Helro Drive, P.O BOX 338

Email: info@newmethod.com - www.newmethod.com

Fraser, Michigan 48026 - USA

**model
617**





NEW METHOD STEEL STAMPS, INC.

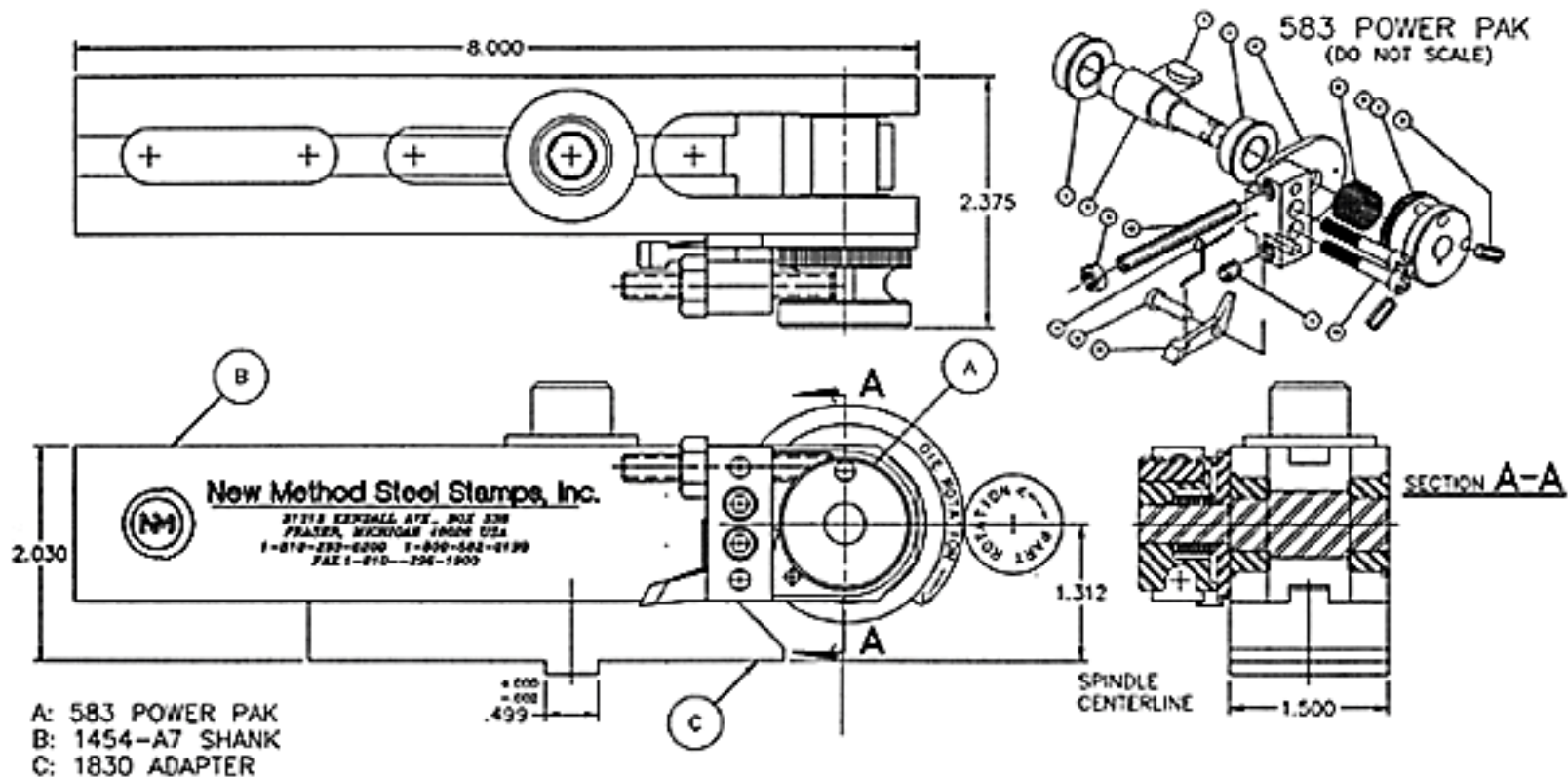
(586) 293-0200 * (800) 582-0199 - Fax (586) 296-1900

Email: info@newmethod.com - www.newmethod.com

17801 Helro Drive, P.O. BOX 338

Fraser, Michigan 48026 - USA

617





NEW METHOD STEEL STAMPS, INC.

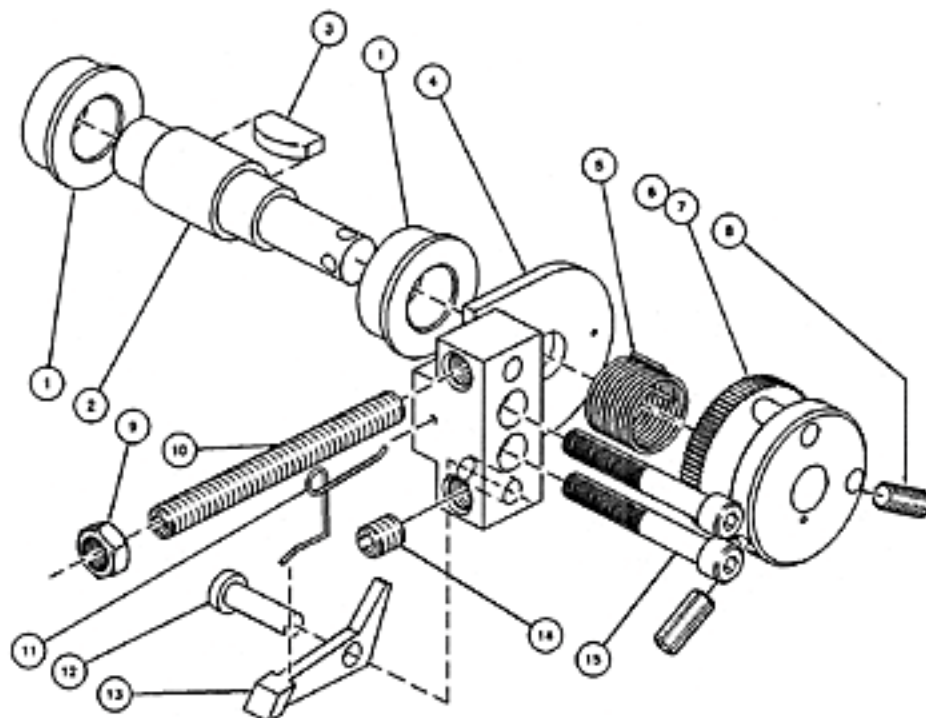
(586) 293-0200 * (800) 582-0199 - Fax (586) 296-1900

Email: info@newmethod.com - www.newmethod.com

17801 Helro Drive, P.O. BOX 338

Fraser, Michigan 48026 - USA

583 POWER PAK



USED ON

ALL 1454
BASED
ATTACHMENTS
951-TH
815

| 15 | 1229 | 1 | SOCKET HEAD CAP SCREW |
|--------|--------|-----|-----------------------|
| 14 | 1018 | 1 | SET SCREW |
| 13 | 1100 | 1 | RATCHET PAWL |
| 12 | 1011 | 1 | AXLE, RATCHET PAWL |
| 11 | 1456 | 1 | SPRING, RATCHET PAWL |
| 10 | 1019 | 1 | SET SCREW |
| 9 | 1018 | 1 | JAM NUT |
| 8 | 1015 | 2 | SET SCREW |
| 7 | 1002 | 1 | STOP PIN |
| 6 | 1001 | 1 | CAP |
| 5 | 1006 | 1 | SPRING, ROLL RETURN |
| 4 | 1457 | 1 | ASSY PLATE & BLOCK |
| 3 | 1012 | 1 | #8 WOODRUFF KEY |
| 2 | 1459 | 1 | AXLE |
| 1 | 1460 | 2 | BUSHING |
| ITEM # | CAT. # | QTY | DESCRIPTION |