



NEW METHOD STEEL STAMPS, INC.

(586) 293-0200 * (800) 582-0199 - Fax (586) 296-1900

17801 Helro Drive, P.O BOX 338

Email: info@newmethod.com - www.newmethod.com

Fraser, Michigan 48026 - USA

model
604-1-0



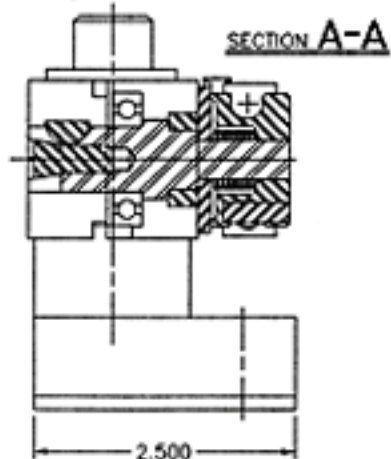
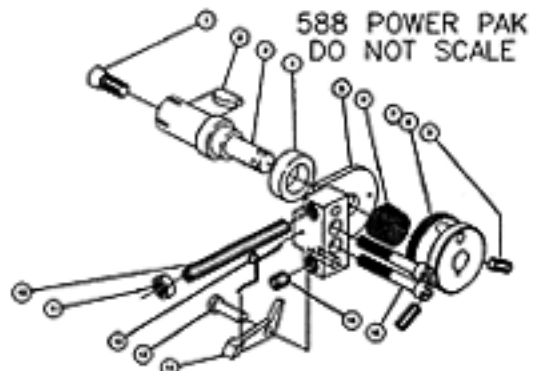
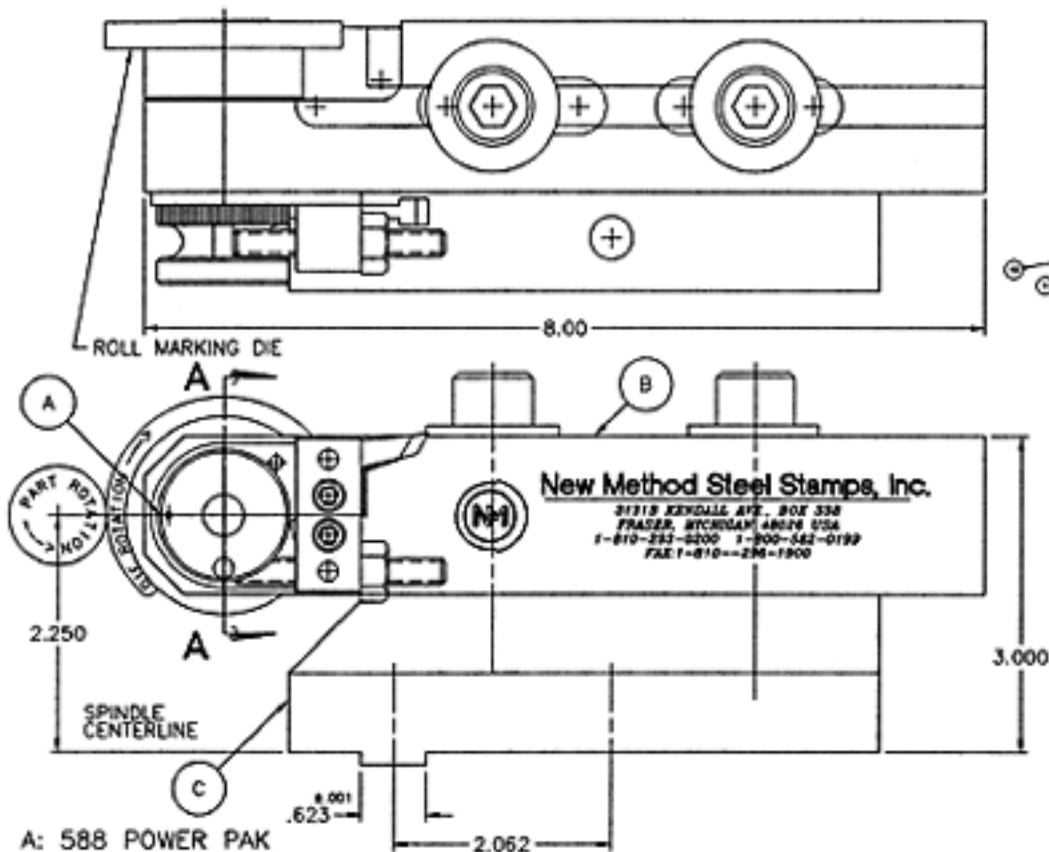


NEW METHOD STEEL STAMPS, INC.

(586) 293-0200 * (800) 582-0199 - Fax (586) 296-1900
Email: info@newmethod.com - www.newmethod.com

17801 Helro Drive, P.O. BOX 338
Fraser, Michigan 48026 - USA

604-1-0



A: 588 POWER PAK
B: 1318 SHANK
C: 1569-1 ADAPTER

A- p885

USED ON

ALL 1318

BASED

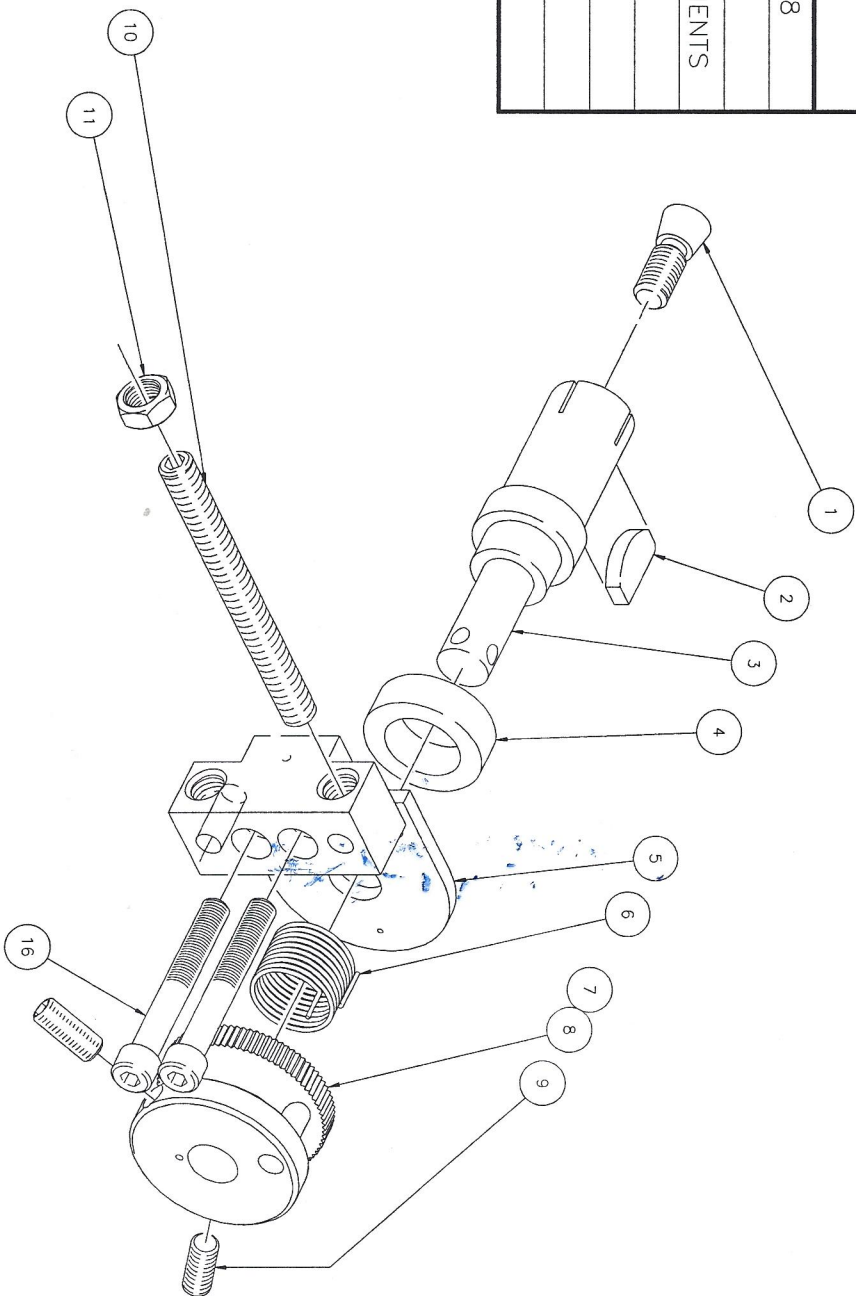
ATTACHMENTS

951

553

LIMITS ON ALL FRACTIONAL FINISH DIMENSIONS
± .010 UNLESS OTHERWISE SPECIFIED.

DO NOT SCALE-REMOVE ALL SHARP EDGES.
REPORT ALL CHANGES TO ENGINEERING DEPT.



ITEM#	CAT. #	QTY	DESCRIPTION
16	1014	2	SOCKET HEAD CAP SCREW
11	1018	1	JAM NUT
10	1019	1	SET SCREW
9	1015	2	SET SCREW
8	1002	1	STOP PIN
7	1001	1	CAP
6	1006	1	SPRING, ROLL RETURN
5	1457	1	BLOCK & PLATE ASSY
4	1029	1	BUSHING
3	1754	1	AXLE
2	-	1	#6 WOODRUFF KEY
1	1050-A	1	TAPER SCREW

NEW METHOD STEEL STAMPS, INC.
FRASER MICHIGAN

NAME
SPARE PARTS LIST

MAT'L. ROCKWELL C SCALE
HEAT TREAT

PART NO. 588a-A

LET	CHANGE	DATE	CHECKED	SCALE	DATE
-	-	-	-	N/A	03/25/95
0	REMOVED RATCHET PAWL, ETC.	01/98	MPM		
LET	CHANGE	DATE	DRAWN	SCALE	DATE
LET	CHANGE	DATE	MPM	N/A	03/25/95