

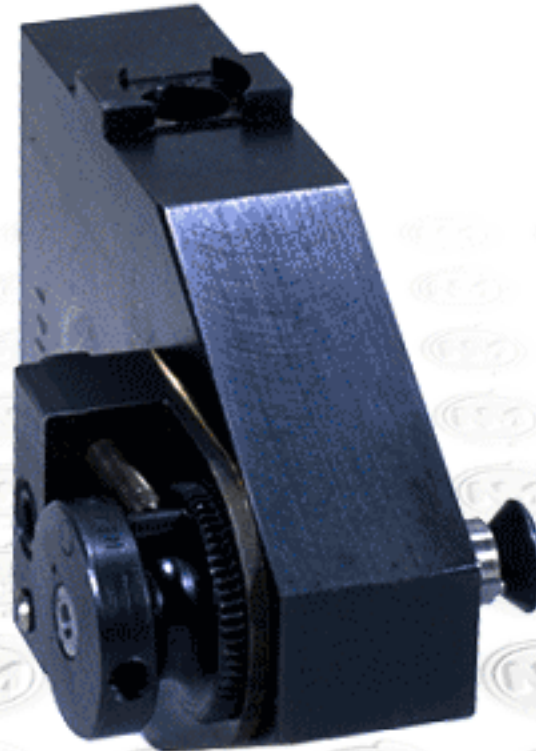


# NEW METHOD STEEL STAMPS, INC.

(586) 293-0200 \* (800) 582-0199 - Fax (586) 296-1900  
Email: [info@newmethod.com](mailto:info@newmethod.com) - [www.newmethod.com](http://www.newmethod.com)

17801 Helro Drive, P.O BOX 338  
Fraser, Michigan 48026 - USA

model  
**523-0**





# NEW METHOD STEEL STAMPS, INC.

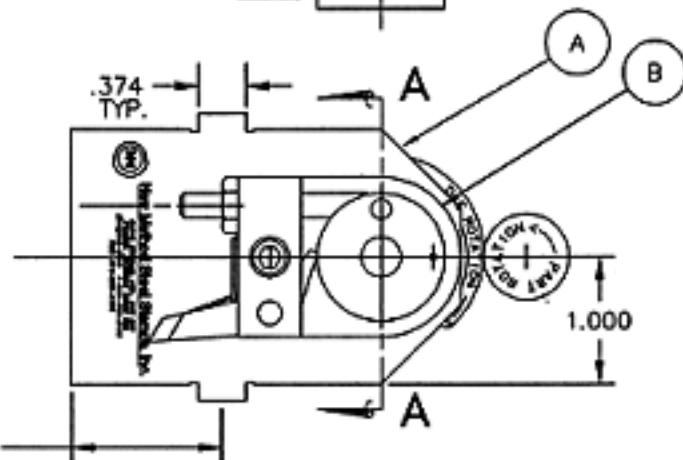
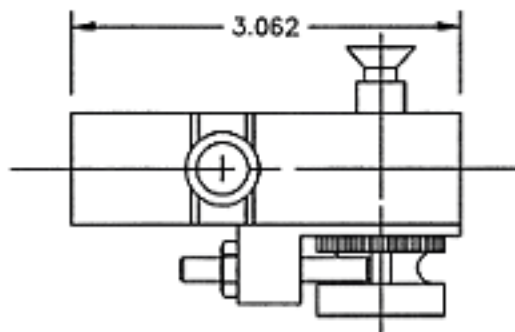
(586) 293-0200 \* (800) 582-0199 - Fax (586) 296-1900

Email: [info@newmethod.com](mailto:info@newmethod.com) - [www.newmethod.com](http://www.newmethod.com)

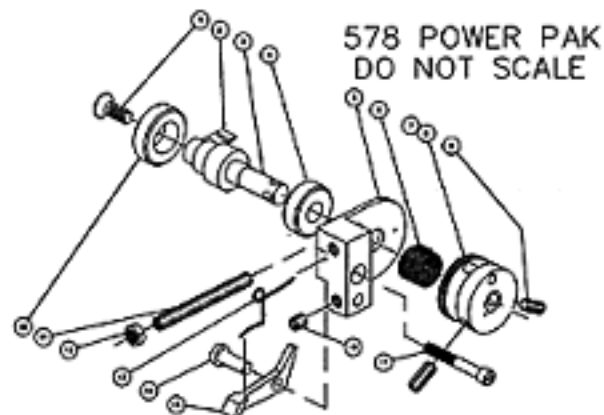
17801 Helro Drive, P.O. BOX 338

Fraser, Michigan 48026 - USA

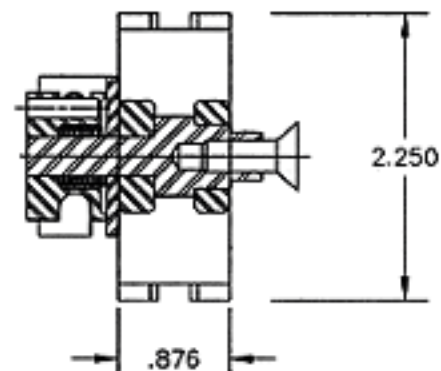
## 523-0



- A: 1746 SHANK
- B: 578 POWER PAK  
(582 POWER PAK FOR REVERSE ROTATION)



**SECTION A-A**





# NEW METHOD STEEL STAMPS, INC.

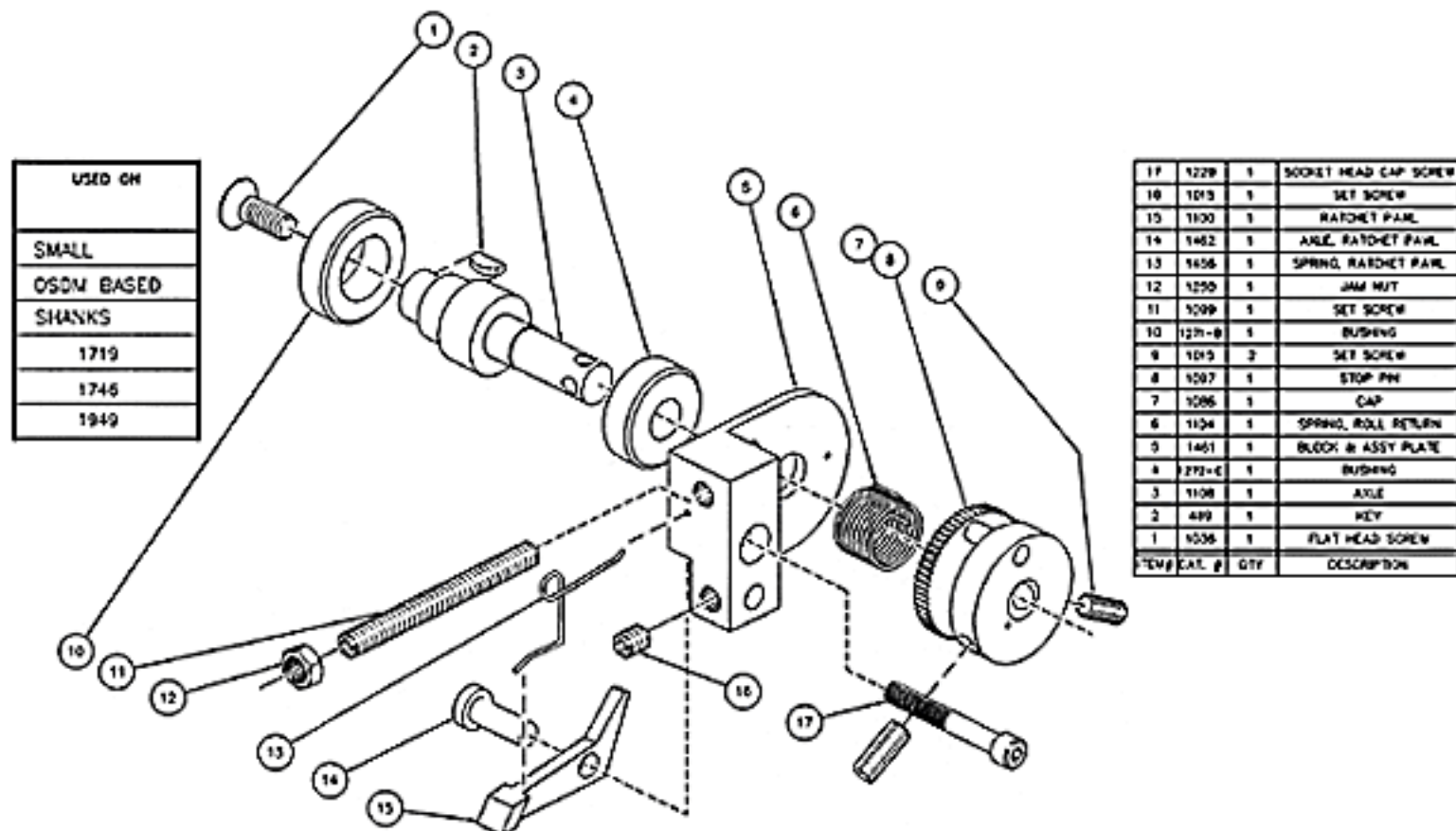
(586) 293-0200 \* (800) 582-0199 - Fax (586) 296-1900

Email: [info@newmethod.com](mailto:info@newmethod.com) - [www.newmethod.com](http://www.newmethod.com)

17801 Helro Drive, P.O BOX 338

Fraser, Michigan 48026 - USA

## 578 POWER PAK



USED ON
SMALL
OSDM BASED
SHANKS
1719
1746
1949

ITEM #	CAT. #	QTY	DESCRIPTION
17	1229	1	SOCKET HEAD CAP SCREW
16	1015	1	SET SCREW
15	1100	1	RATCHET PAWL
14	1462	1	AXLE RATCHET PAWL
13	1456	1	SPRING RATCHET PAWL
12	1250	1	JAM NUT
11	1009	1	SET SCREW
10	1271-0	1	BUSHING
9	1015	2	SET SCREW
8	1007	1	STOP PIN
7	1006	1	CAP
6	1124	1	SPRING ROLL RETURN
5	1461	1	BLOCK & ASSY PLATE
4	272-C	1	BUSHING
3	1108	1	AXLE
2	449	1	KEY
1	1036	1	FLAT HEAD SCREW